



GRAND  
DESIGN • BUILD

---

442 BROCK AVE

NELLY@GrandDesignBuild.com









PULL OUT

PULL OUT

PULL OUT

PULL OUT









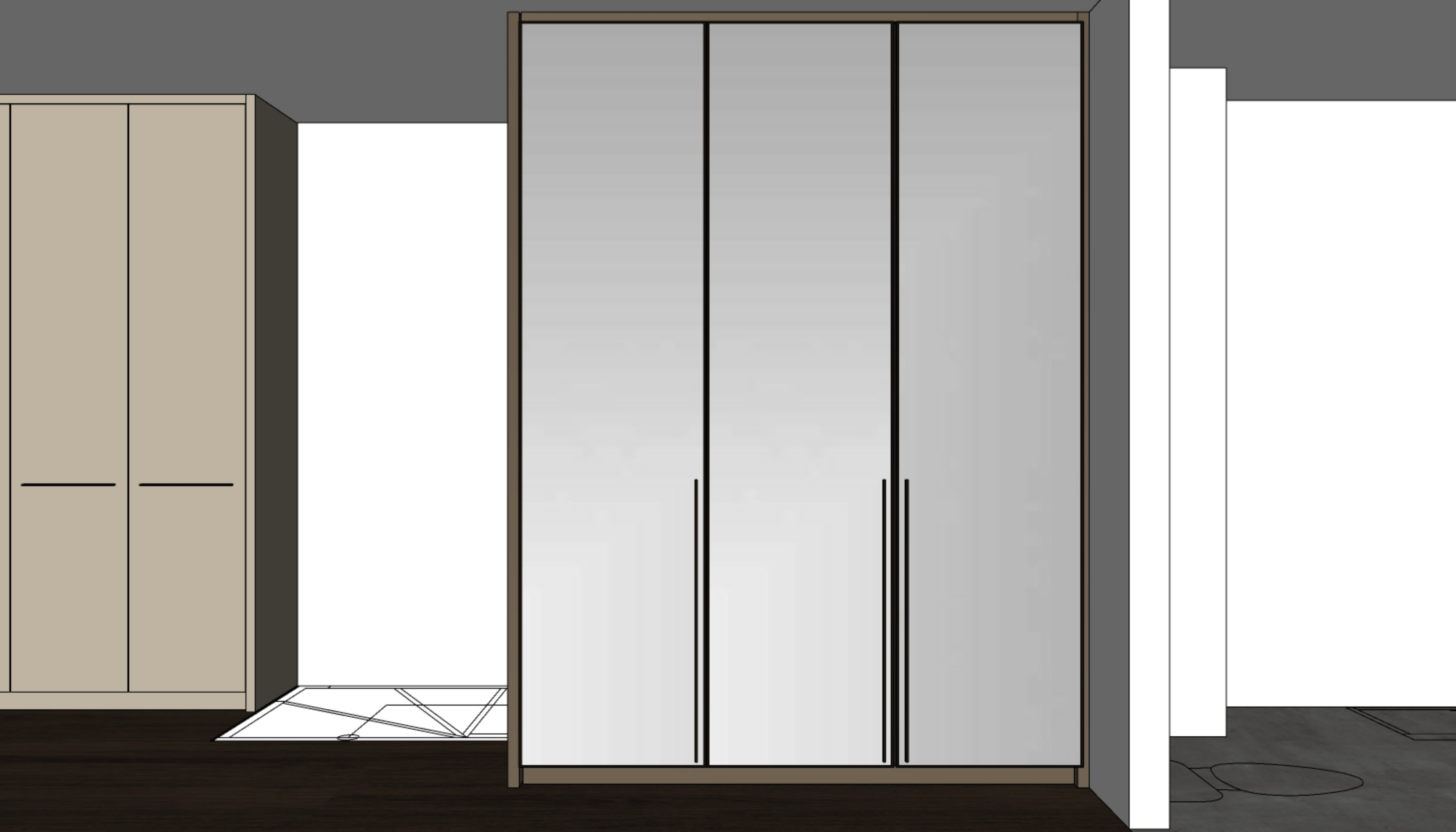








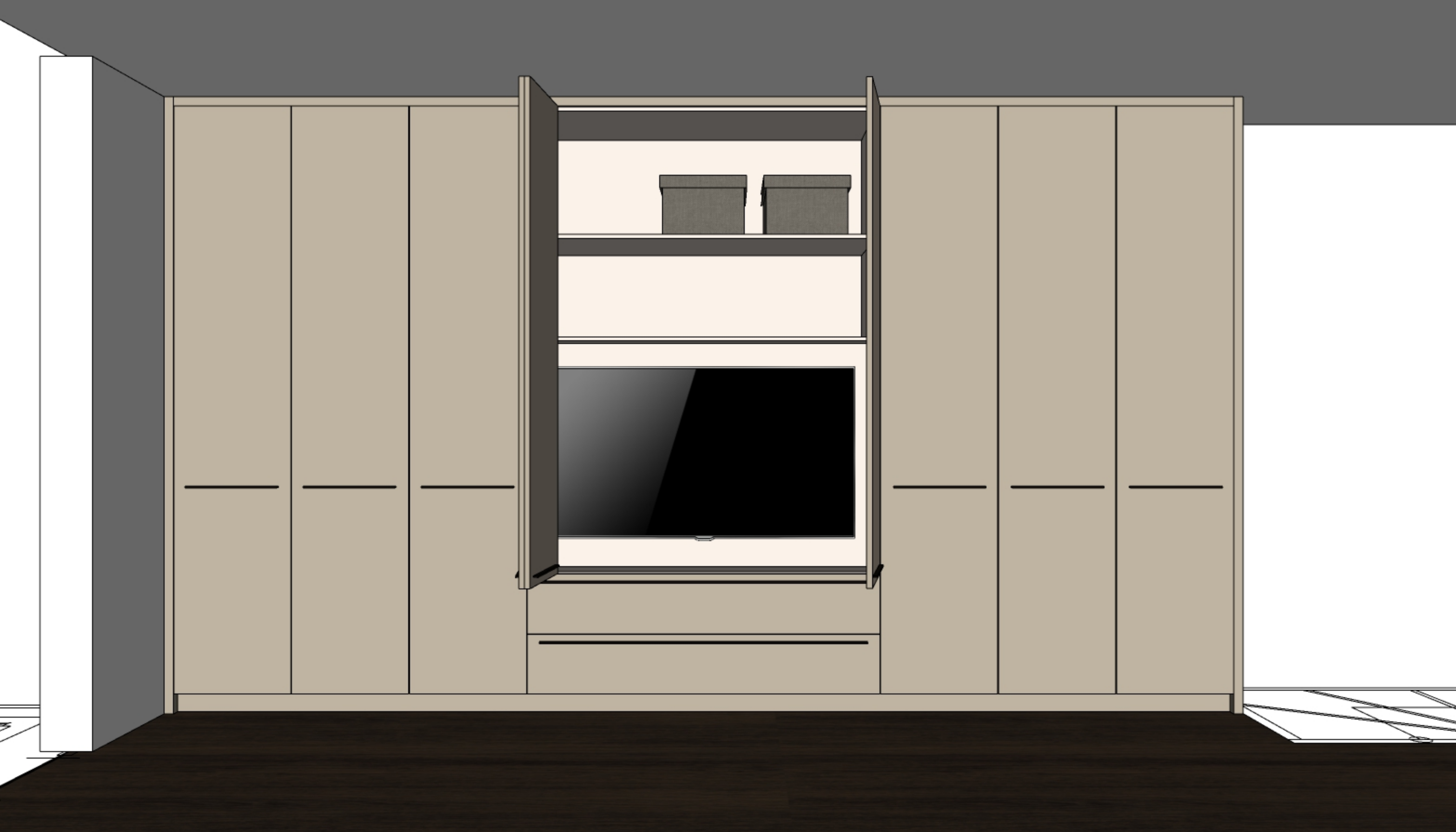










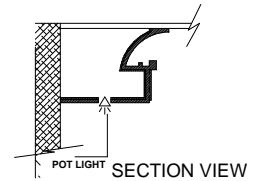
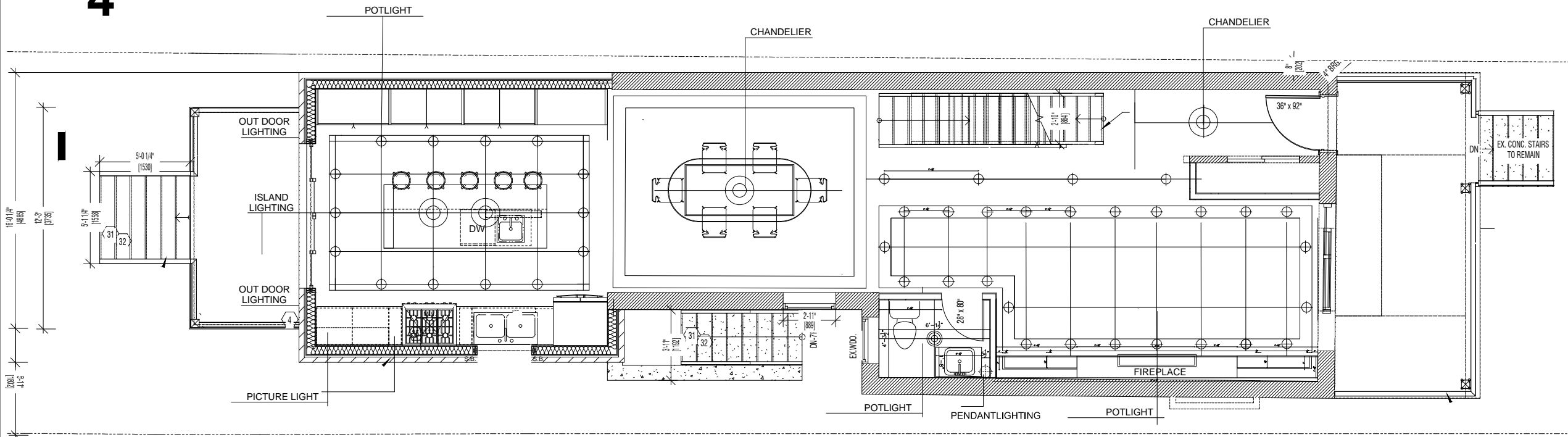




# SPEAKERS



4



CEILING CROWN MOLDING

- POTLIGHT**  
⊕⊕⊕
- CHANDELIER**  
⊙
- PICTURE LIGHTING**  
⊕
- ISLAND LIGHTING**  
⊕
- Pendant(POWDERROOM)**  
⊕

PLEASE INSTALLED PICTURE LIGHT WITH DIFFERENT SWITCH



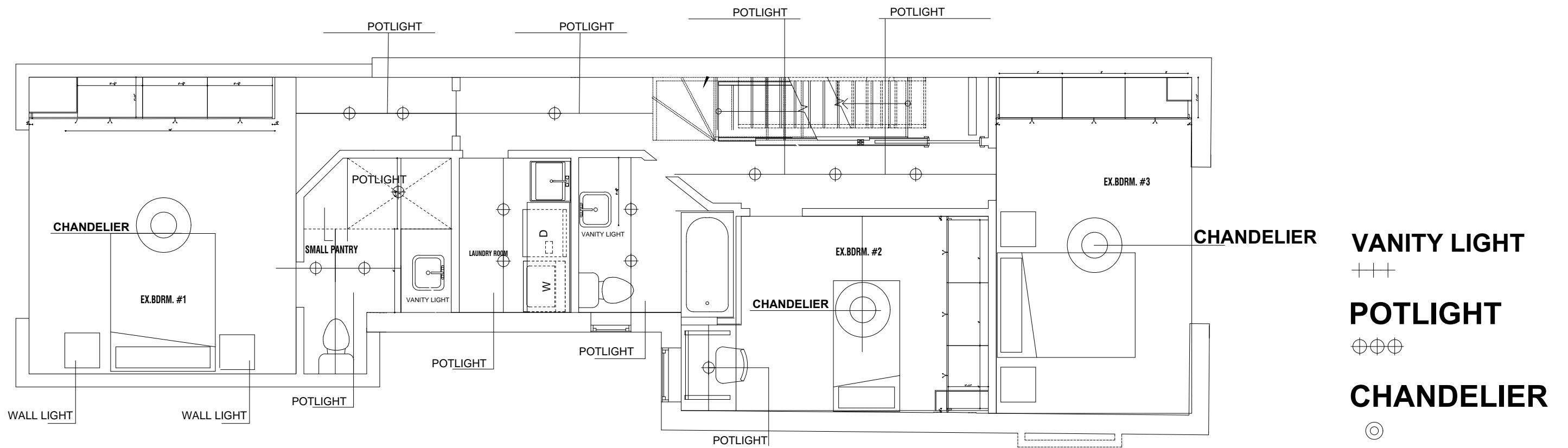
**PROJECT TITLE:**  
442 BROCK AVE

**TITLE:**  
MAIN FLOOR LIGHTING

All dimensions are subject to verification and adjustment on jobsite to fit job condition.

**PRODUCED BY:**  
N.M

**SIGN&DATE:**



**PROJECT TITLE:  
442 BROCK AVE**

**TITLE:  
SECOND FLOOR**

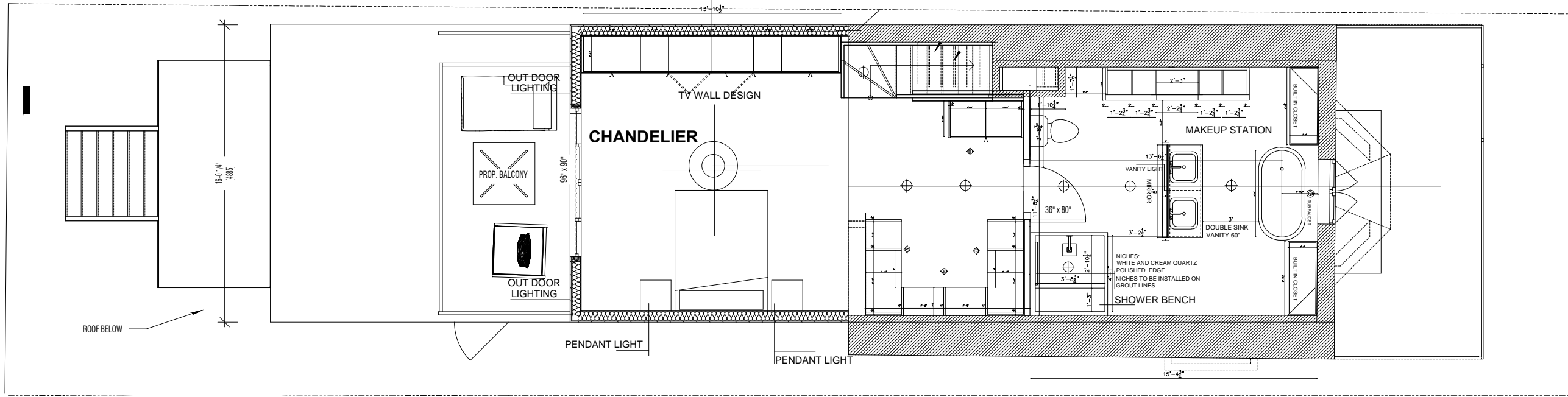
All dimensions are subject to verification and adjustment on jobsite to fit job condition.

**PRODUCED BY:  
N.M**

**SIGN&DATE:**

# SPEAKERS

3



- 60" DOUBLE SINK VANITY
- MAKEUP STATION
- BUILT IN CLOSET
- 59" BATHTUB
- LED UNDER CABINET
- VANITY LIGHT
- POTLIGHT
- Pendant
- CHANDELIER



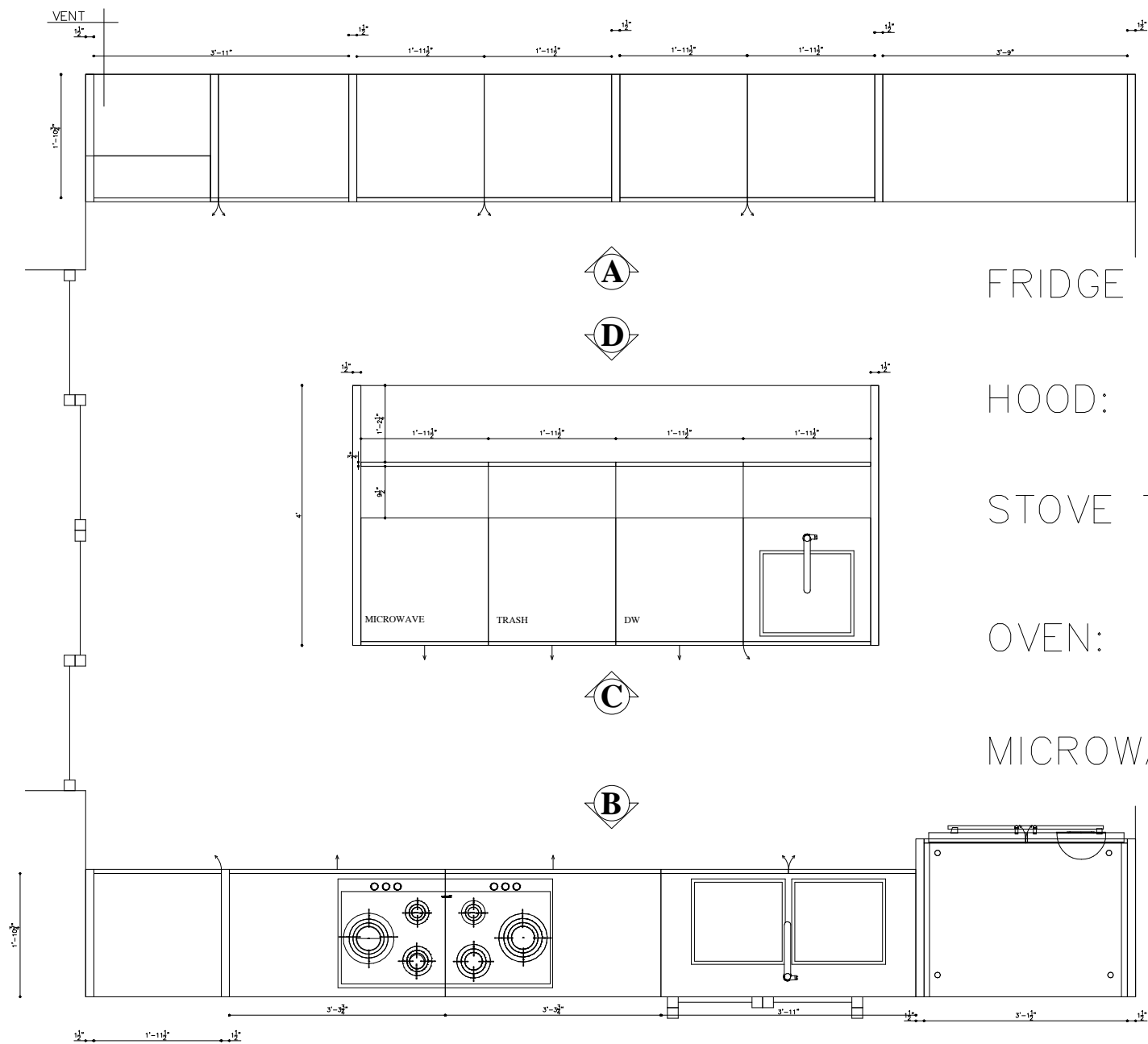
**PROJECT TITLE:**  
442 BROCK AVE

**TITLE:**  
MASTER ENSUITE DESIGN

All dimensions are subject to verification and adjustment on jobsite to fit job condition.

**PRODUCED BY:**  
N.M

**SIGN&DATE:**



FRIDGE WITH FREEZER:

HOOD:

STOVE TOP:

OVEN:

MICROWAVE:

DOUBLE SHAKER KITCHEN  
DOOR CABINET:

CALACATTA 6090  
COUNTER & BACKSPLASH

UPPER & LOWERS KITCHEN  
CABINET: WHITE OAK

BAR DESIGN: WINE RACK  
& GLASS RACK

HOOD DESIGN:  
WHITE OAK

ISLAND SINK:

DOUBLE SINK 60/40

PULL OUT GARBAGE BIN

HARDWARE:



**PROJECT TITLE:  
442 BROCK AVE**

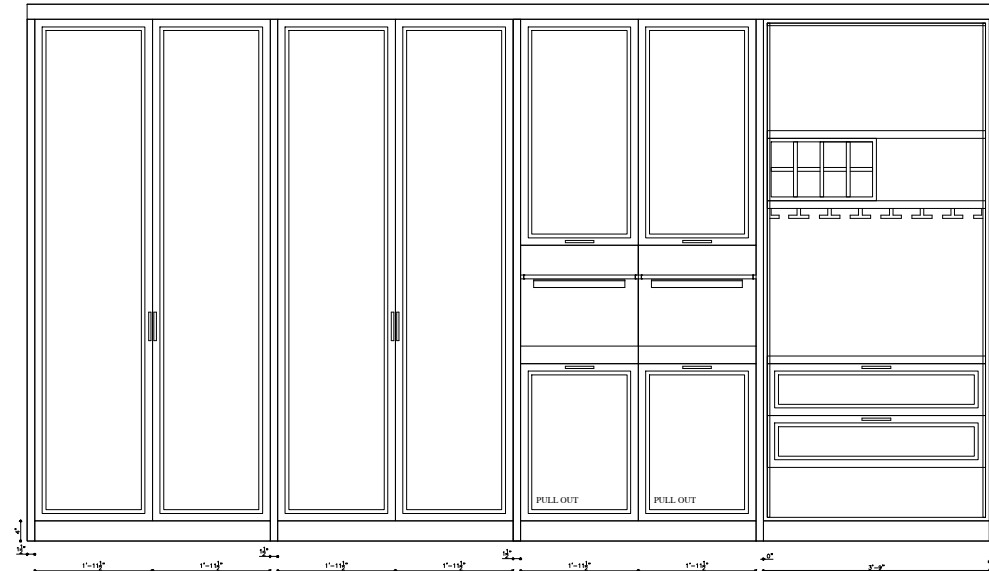
**TITLE:  
KITCHEN PLAN VIEW**

All dimensions are subject  
to verification and  
adjustment on jobsite to fit  
job condition.

**PRODUCED BY:  
N.M**

**SIGN&DATE:**

OPTION 1



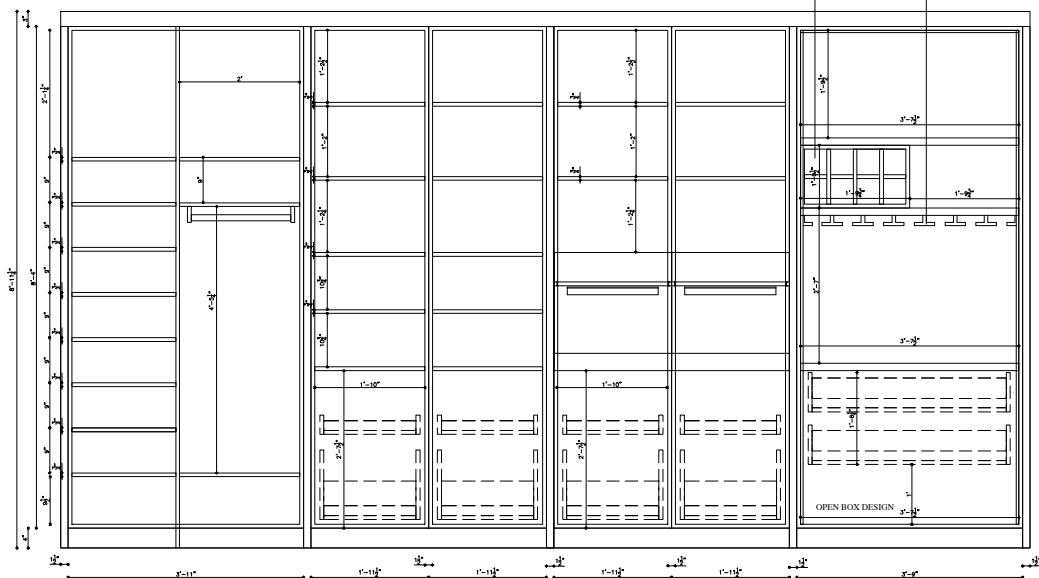
DOUBLE SHAKER KITCHEN  
DOOR CABINET:

CALACATTA 6090  
COUNTER & BACKSPLASH

UPPER & LOWERS KITCHEN  
CABINET: WHITE OAK

BAR DESIGN: WINE RACK  
& GLASS RACK

WINE RACK  
GLASS RACK



OPTION 2



HARDWARE:

**POTLIGHT**



**LED- SIDE CABINET**



**PLEASE INSTALLED LED LIGHT  
WITH DIFFERENT SWITCH**

VIEW A



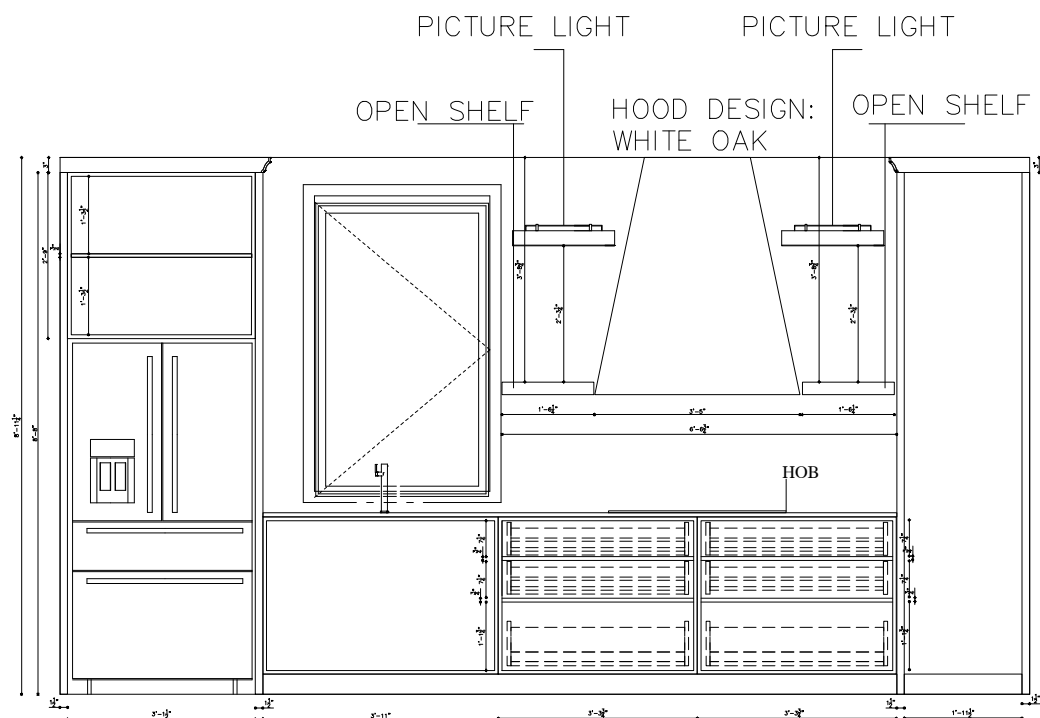
PROJECT TITLE:  
442 BROCK AVE

TITLE:  
KITCHEN DESIGN

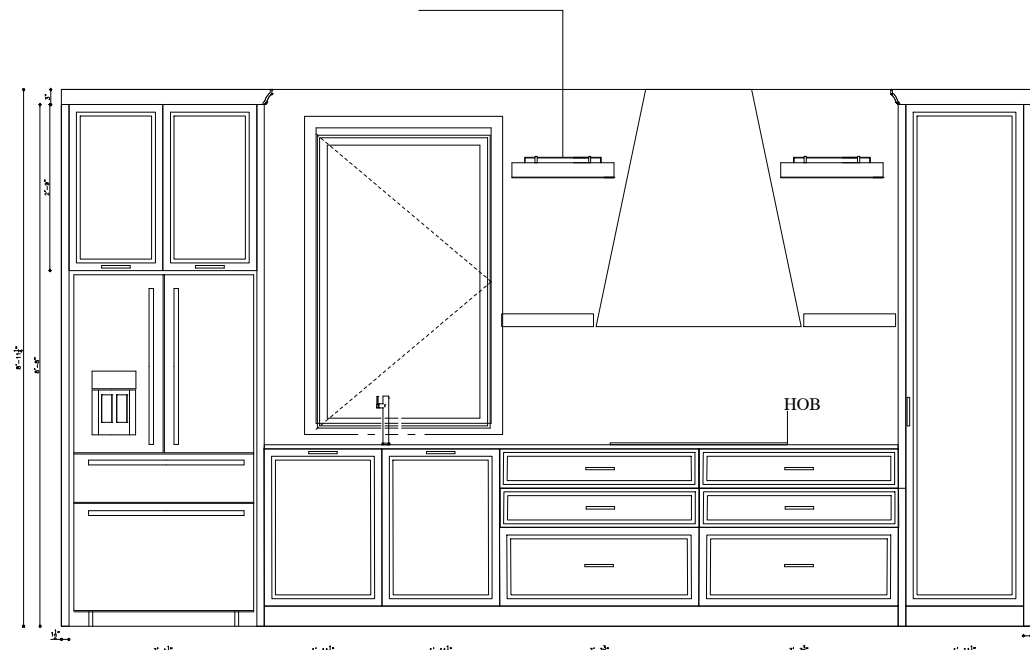
All dimensions are subject  
to verification and  
adjustment on jobsite to fit  
job condition.

PRODUCED BY:  
N.M

SIGN&DATE:



**PLEASE INSTALLED PICTURE LIGHT WITH DIFFERENT SWITCH**



DOUBLE SHAKER KITCHEN DOOR CABINET:

CALACATTA 6090 COUNTER & BACKSPLASH

UPPER & LOWERS KITCHEN CABINET: WHITE OAK

HOOD DESIGN: WHITE OAK

HARDWARE:

**POTLIGHT**



**PICTURE LIGHT**



**PLEASE INSTALLED PICTURE LIGHT WITH DIFFERENT SWITCH**

VIEW B



**PROJECT TITLE:  
442 BROCK AVE**

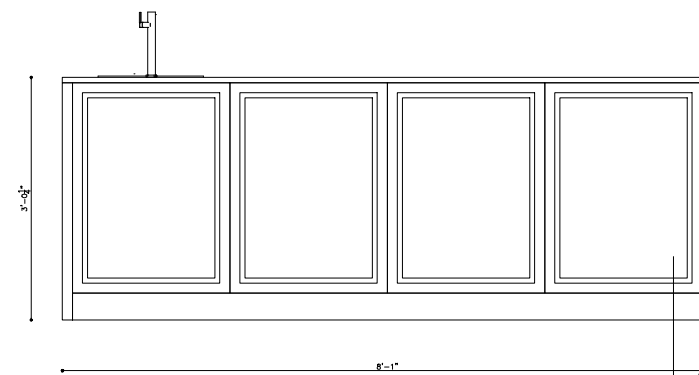
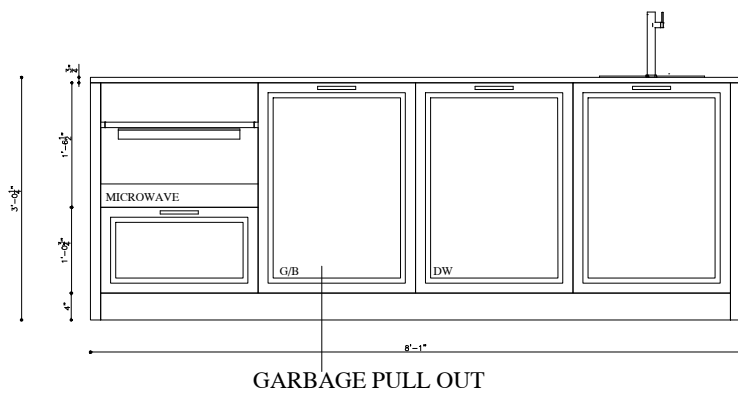
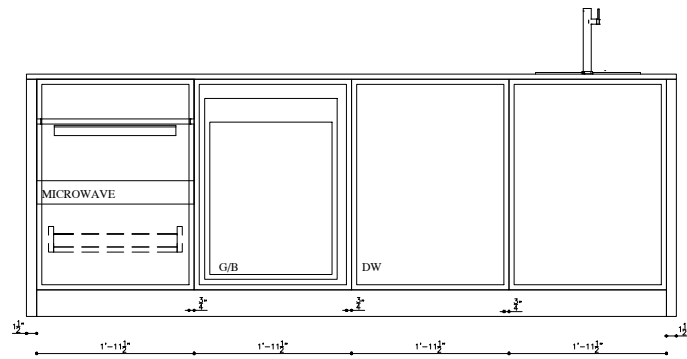
**TITLE:  
KITCHEN DESIGN**

All dimensions are subject to verification and adjustment on jobsite to fit job condition.

**PRODUCED BY:  
N.M**

**SIGN&DATE:**





DOUBLE SHAKER KITCHEN ISLAND  
DOOR CABINET: WHITE OAK

CALACATTA 6090  
COUNTER & BACKSPLASH

ISLAND SINK:

PULL OUT GARBAGE BIN:

**CABINET MATERIAL:  
MDF PAINTED=**

VIEW C

VIEW D



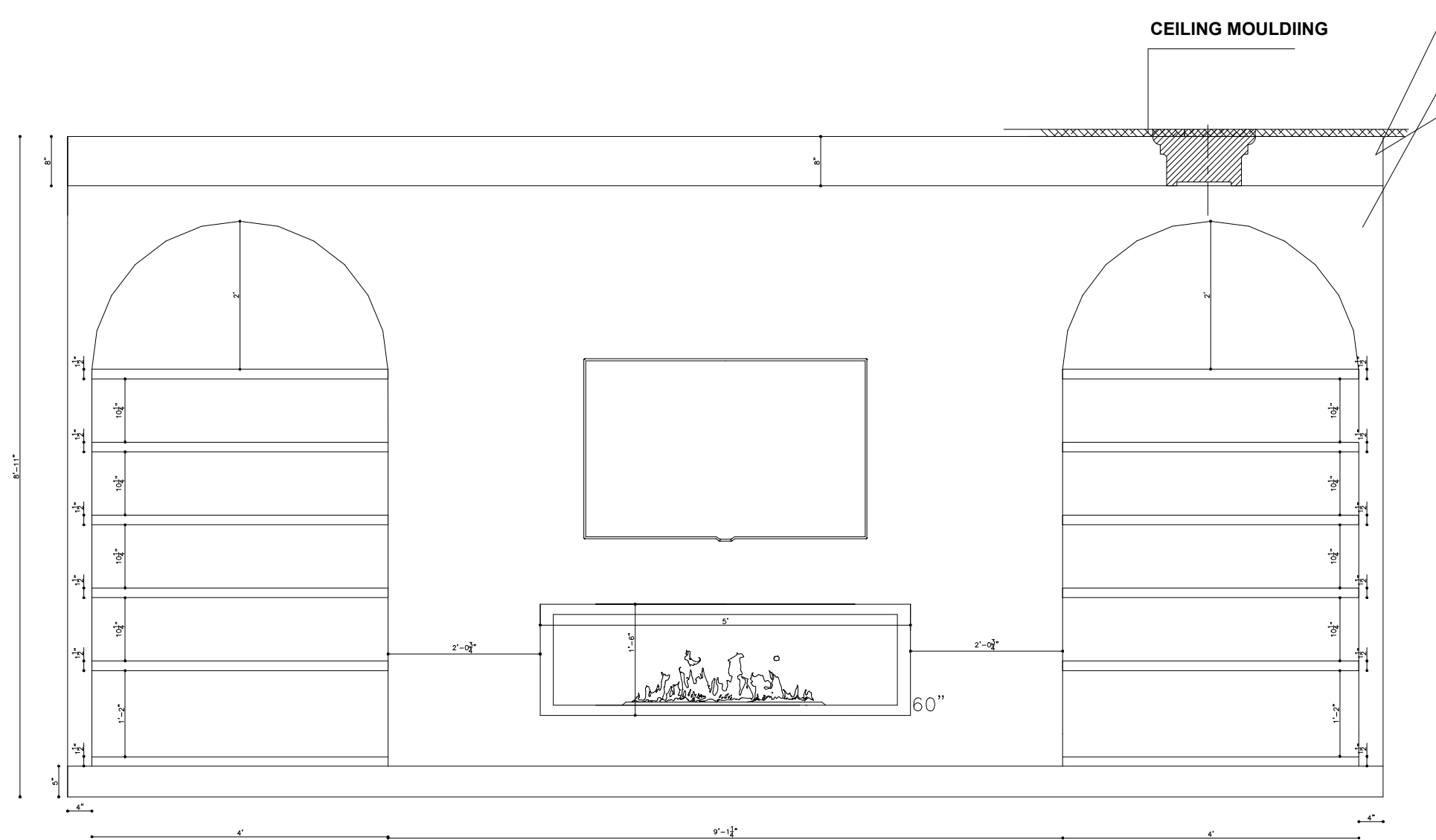
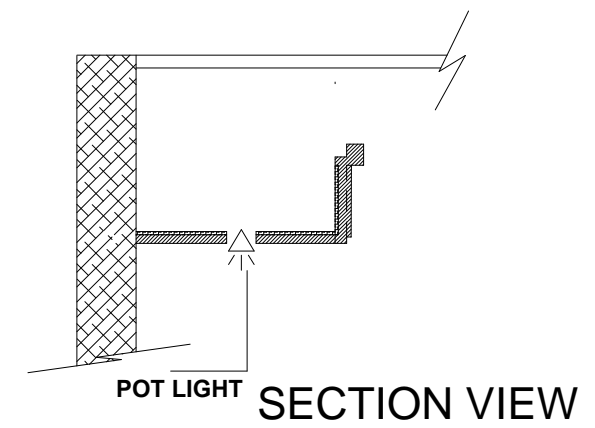
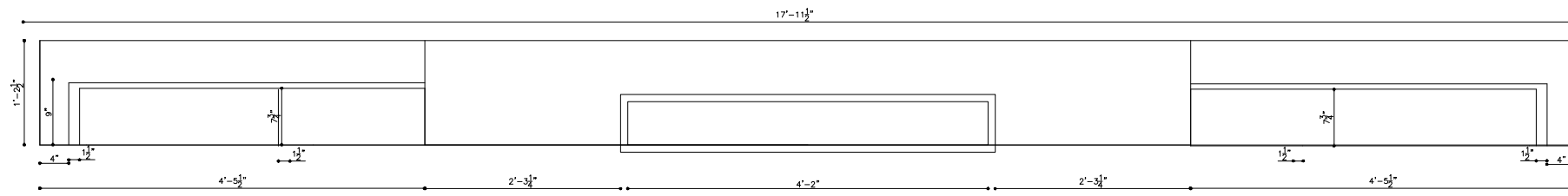
PROJECT TITLE:  
442 BROCK AVE

TITLE:  
KITCHEN ISLAND

All dimensions are subject  
to verification and  
adjustment on jobsite to fit  
job condition.

PRODUCED BY:  
N.M

SIGN&DATE:



TV WALL FINISHES:

TV WALL CABINET SHELVES:

LED UNDER CABINET  
UNDER ALL SHELVES

60" ELECTRIC FIREPLACE  
NUMBER:

**POTLIGHT**



**LED LIGHT UNDER SHELVES**



**PLEASE INSTALLED PICTURE LIGHT  
WITH DIFFERENT SWITCH**

**VIEW A**



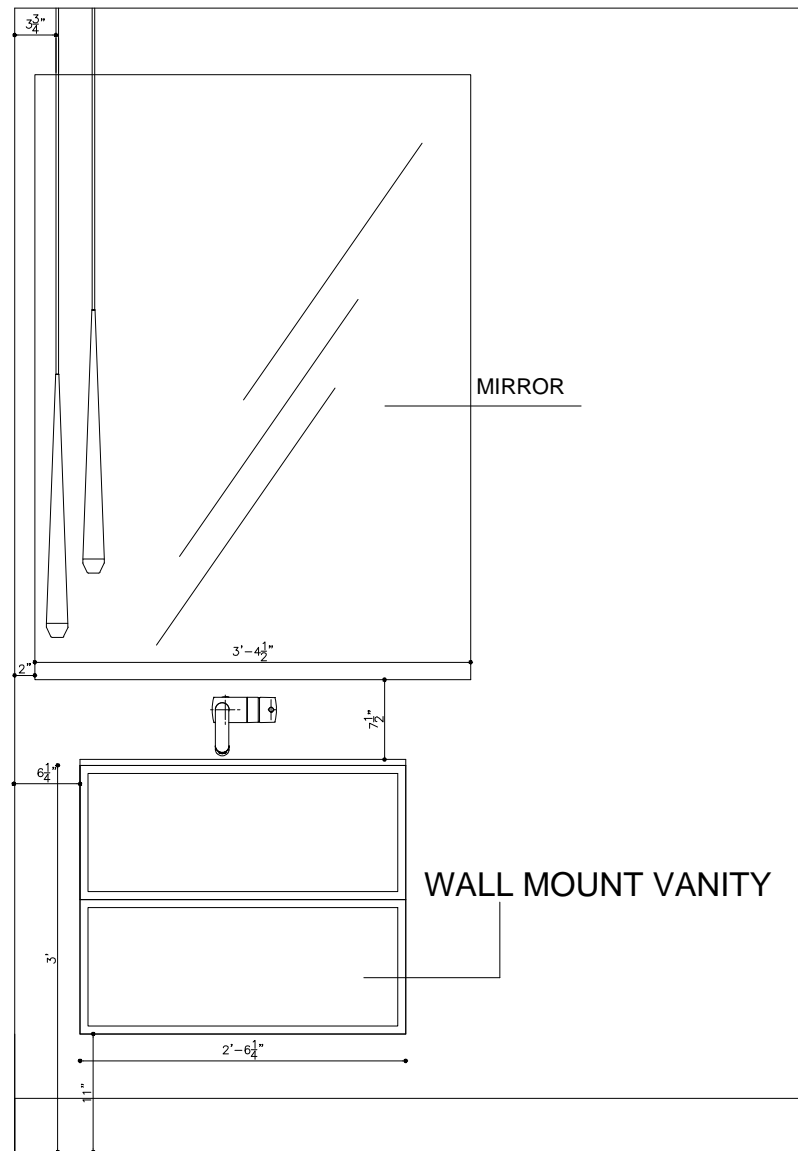
**PROJECT TITLE:  
442 BROCK AVE**

**TITLE:  
TV WALL**

All dimensions are subject to verification and adjustment on jobsite to fit job condition.

**PRODUCED BY:  
N.M**

**SIGN&DATE:**

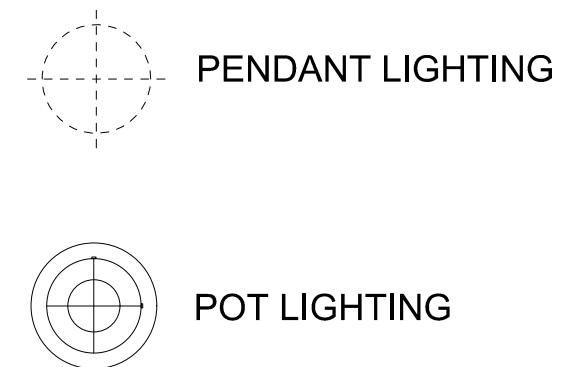
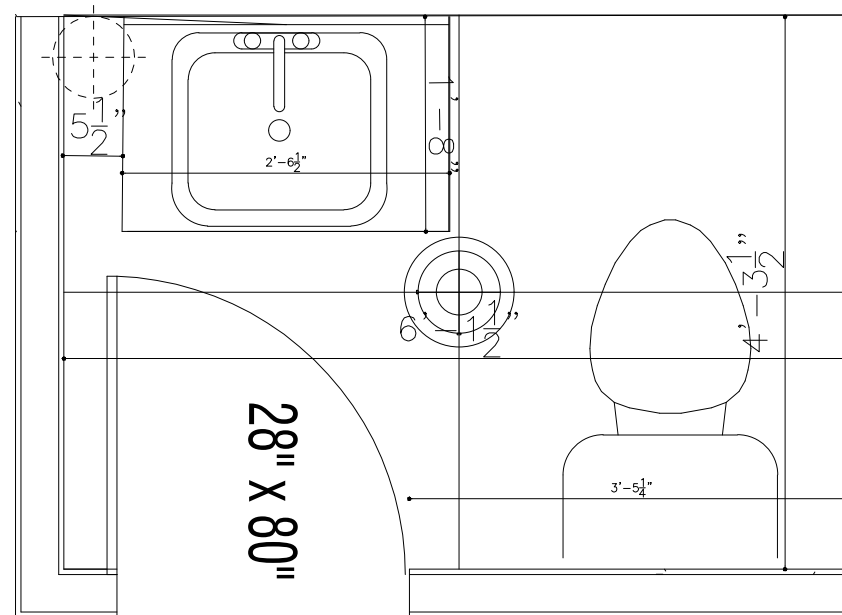


BLUE NAVY CABINET?  
MAYBE!!

BRASS WALL MOUNT  
FAUCET

WALL HUNG TOILET

PENDANT LIGHT  
FIXTURES



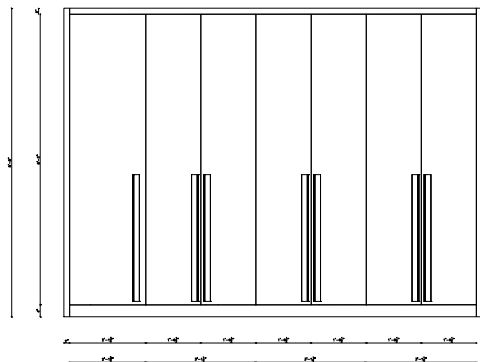
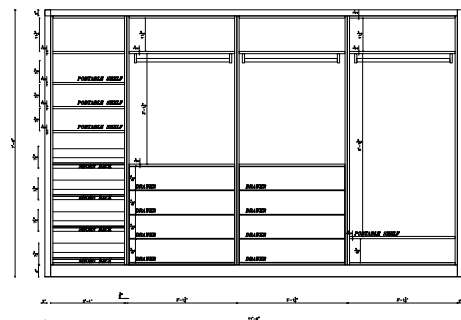
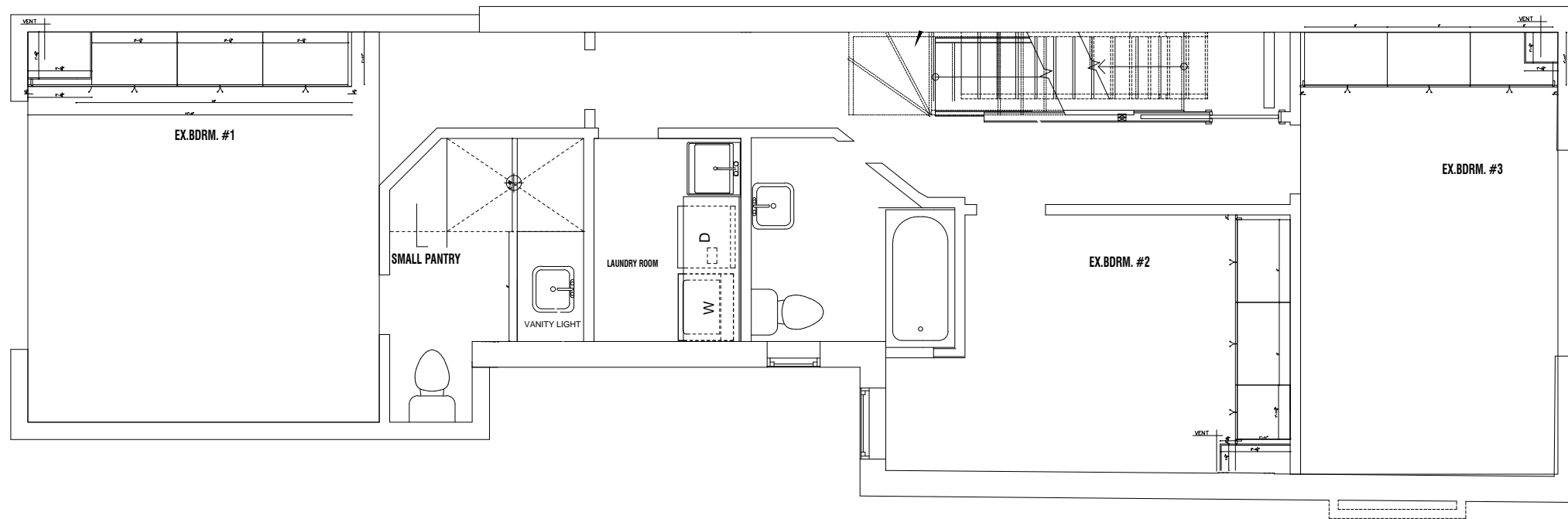
PROJECT TITLE:  
442 BROCK AVE

TITLE:  
POWDER ROOM DESIGN

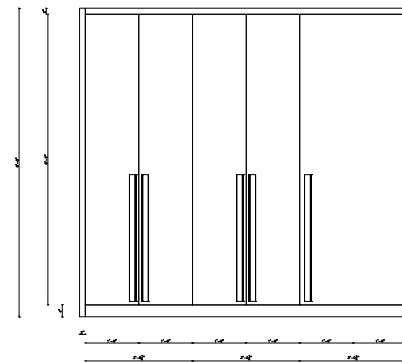
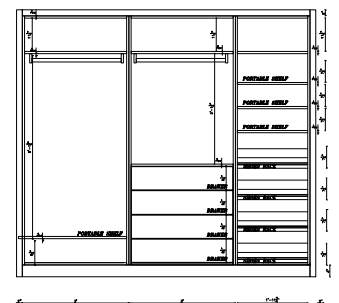
All dimensions are subject  
to verification and  
adjustment on jobsite to fit  
job condition.

PRODUCED BY:  
N.M

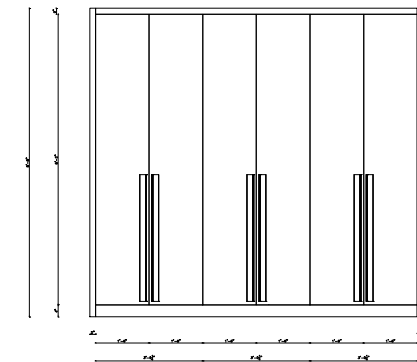
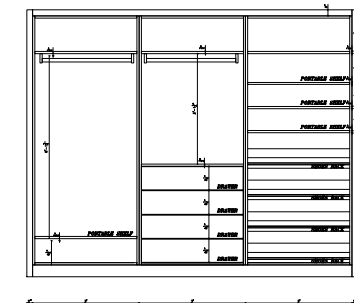
SIGN&DATE:



BEDROOM NO.01



BEDROOM NO.02



BEDROOM NO.03



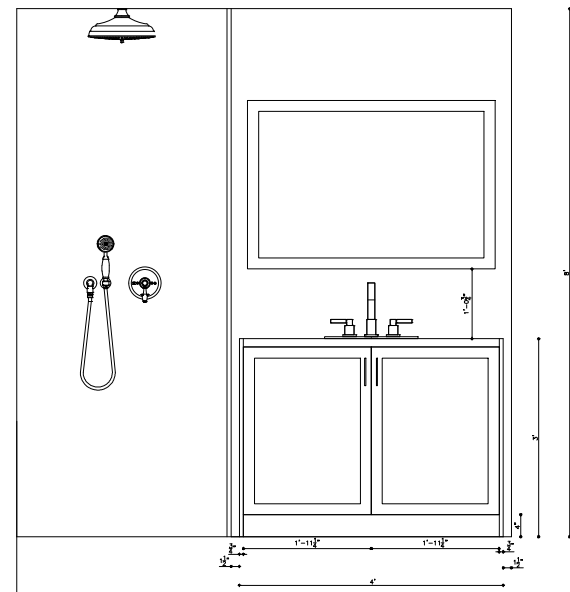
**PROJECT TITLE:**  
442 BROCK AVE

**TITLE:**  
SECOND FLOOR CLOSETS

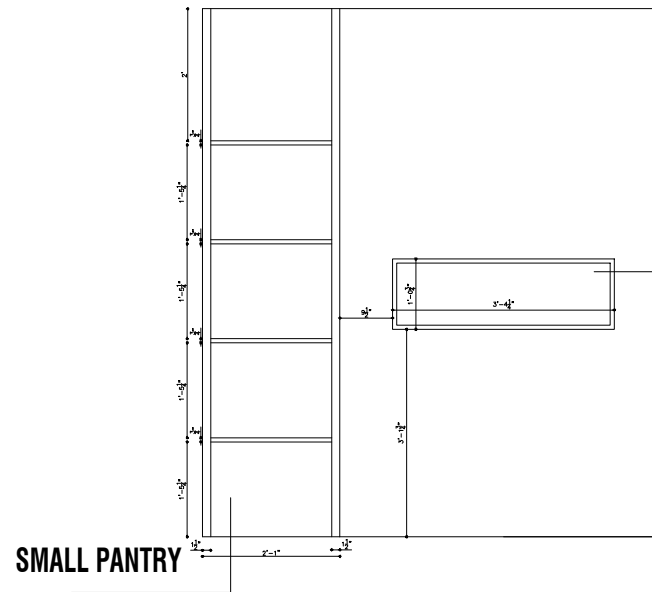
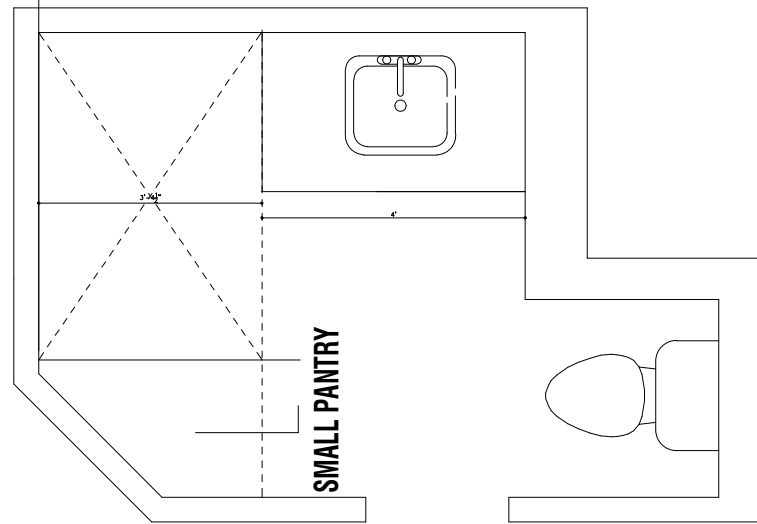
All dimensions are subject to verification and adjustment on jobsite to fit job condition.

**PRODUCED BY:**  
N.M

**SIGN&DATE:**

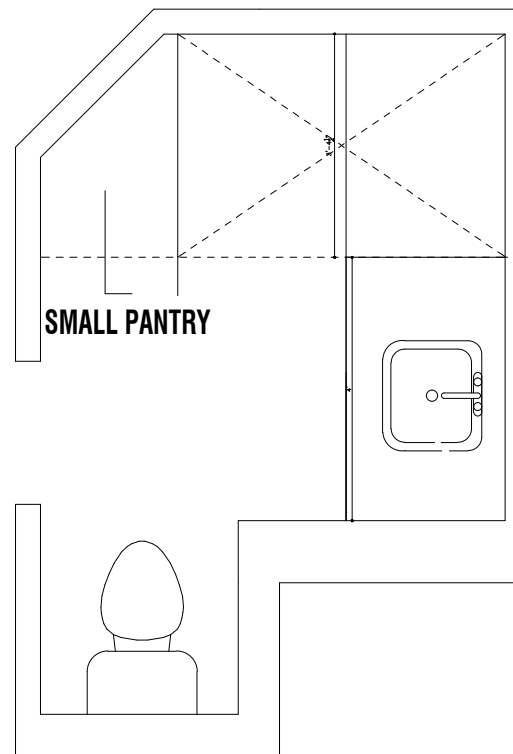


EX.BDRM. #1



SMALL PANTRY

NICHES:  
BLACK AND BLACK QUARTZ  
POLISHED EDGE  
NICHES TO BE INSTALLED  
ON GROUT LINES



SMALL PANTRY

PANTRY CABINET:

VANITY:

WALL TILE:

FLOOR TILE:

SHOWER SET:

FAUCET:

**POTLIGHT**



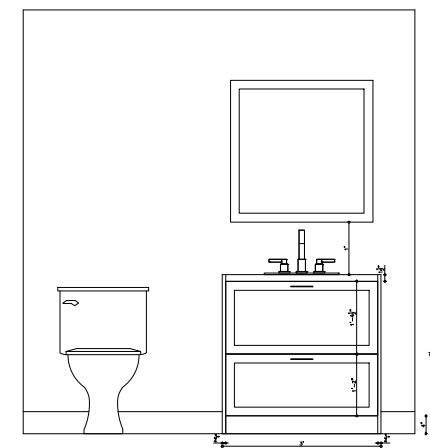
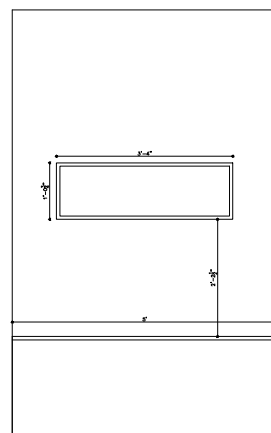
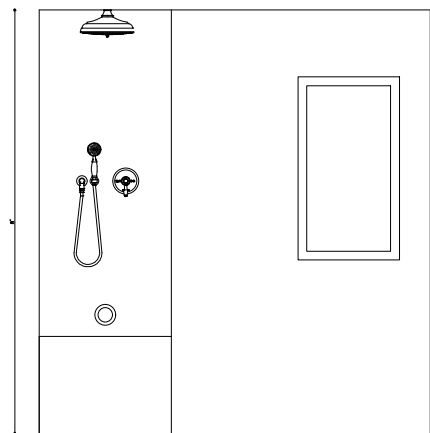
**PROJECT TITLE:  
442 BROCK AVE**

**TITLE:  
BATHROOM #1**

All dimensions are subject to verification and adjustment on jobsite to fit job condition.

**PRODUCED BY:  
N.M**

**SIGN&DATE:**

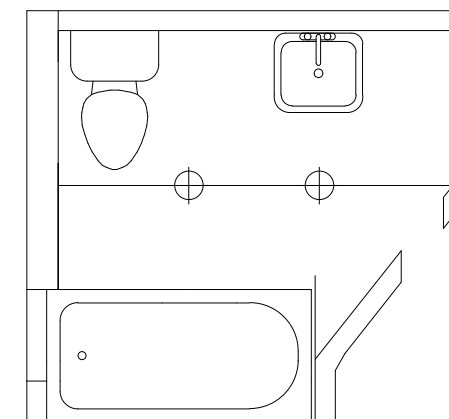
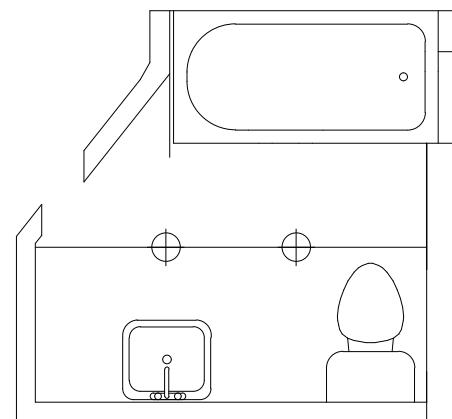
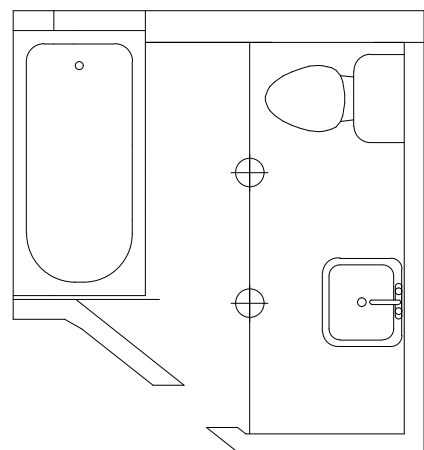


BATHTUB:

VANITY:

WALL TILE:

FLOOR TILE:



SHOWER SET:

FAUCET:

## POTLIGHT



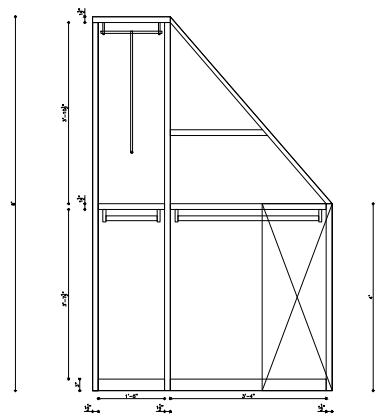
PROJECT TITLE:  
442 BROCK AVE

TITLE:  
BATHROOM SHARE

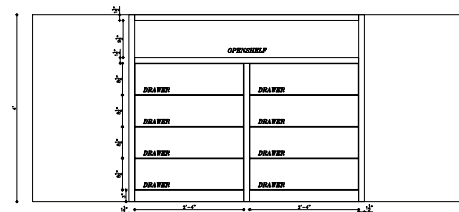
All dimensions are subject to verification and adjustment on jobsite to fit job condition.

PRODUCED BY:  
N.M

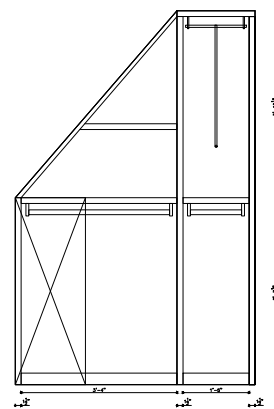
SIGN&DATE:



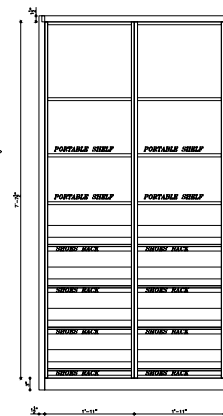
VIEW A



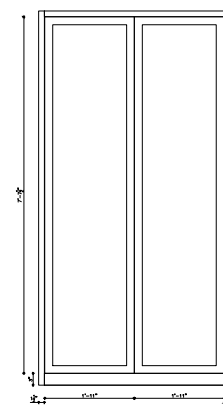
VIEW B



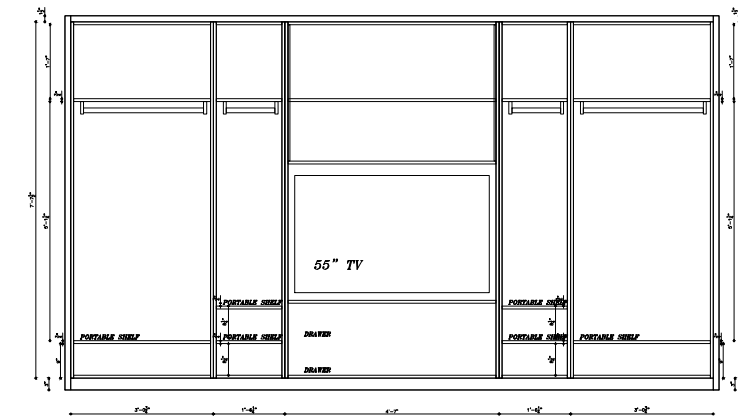
VIEW C



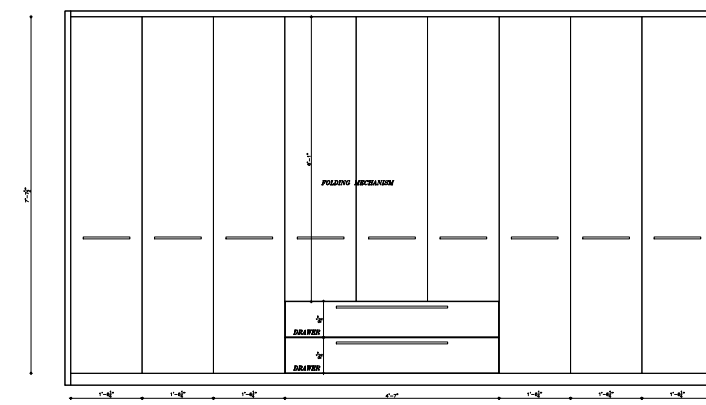
VIEW D INSIDE



VIEW D



VIEW E INSIDE



VIEW E

MASTER BEDROOM.CLOSET

MASTER BEDROOM.CLOSET & TV WALL



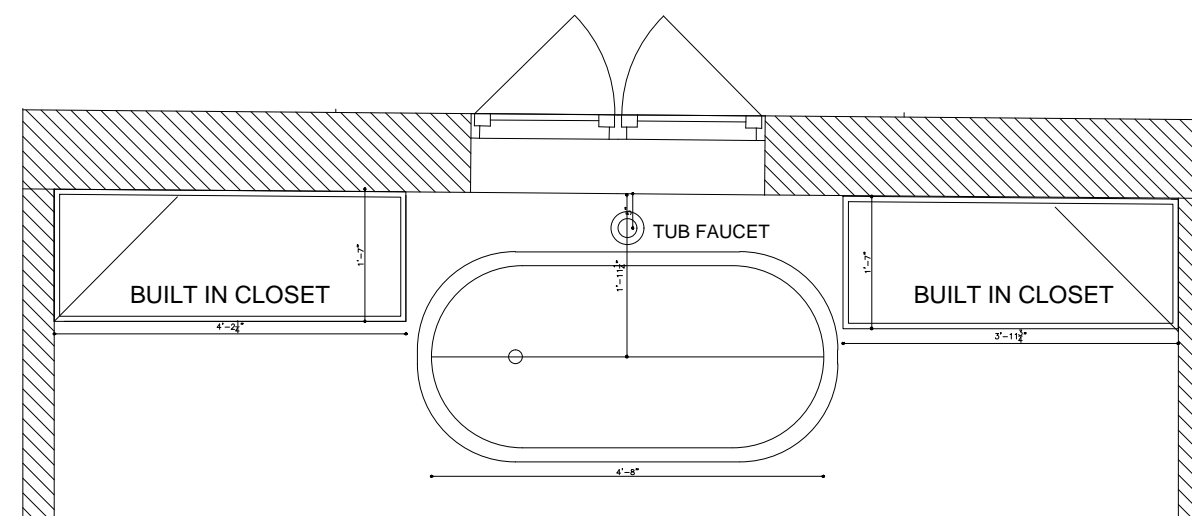
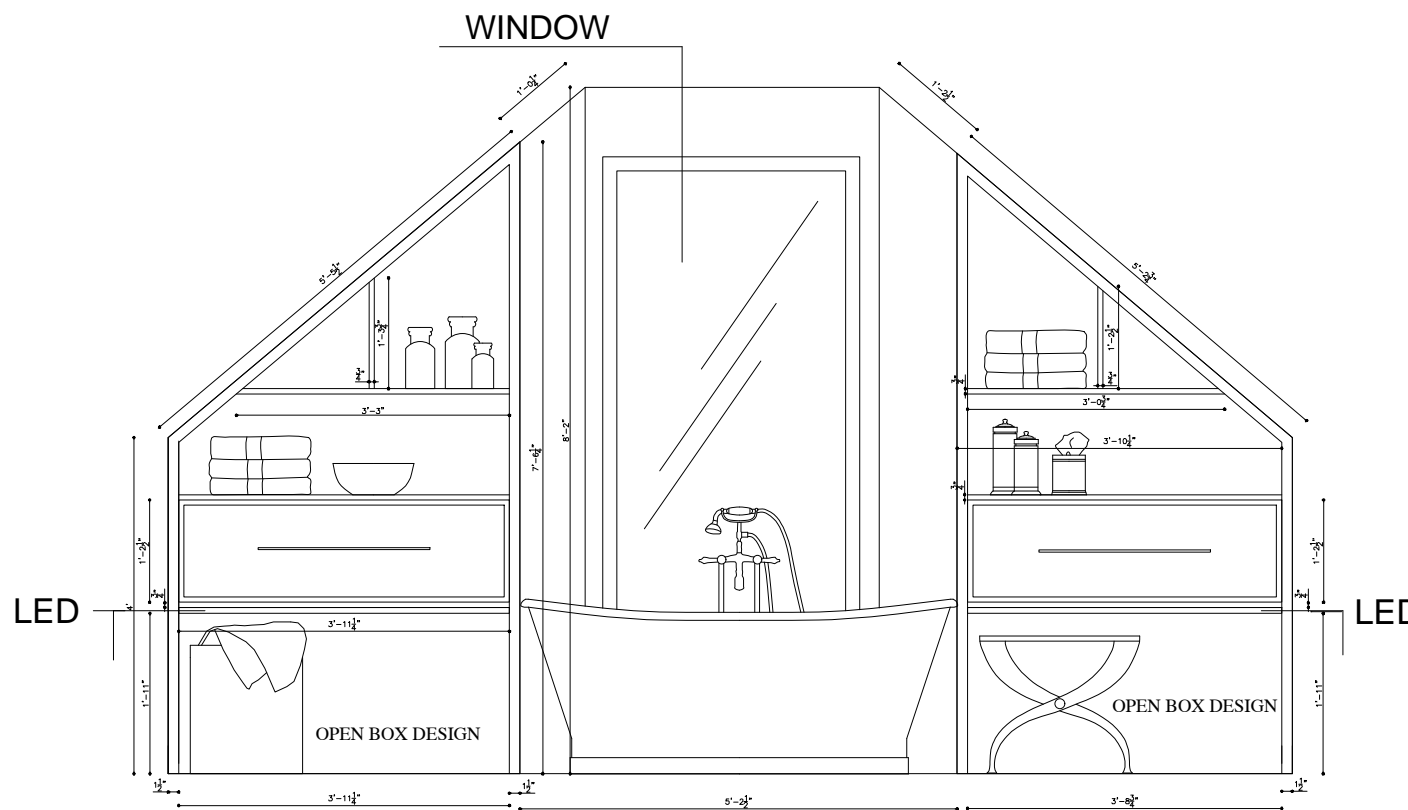
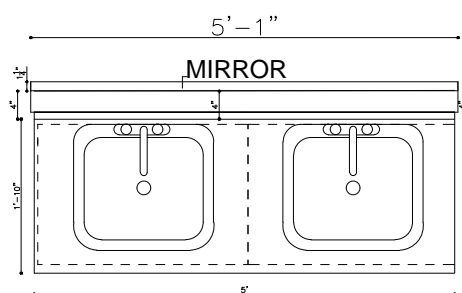
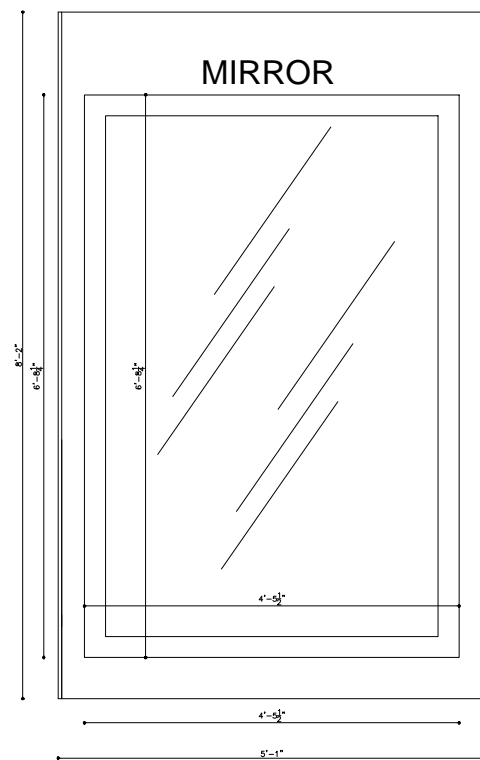
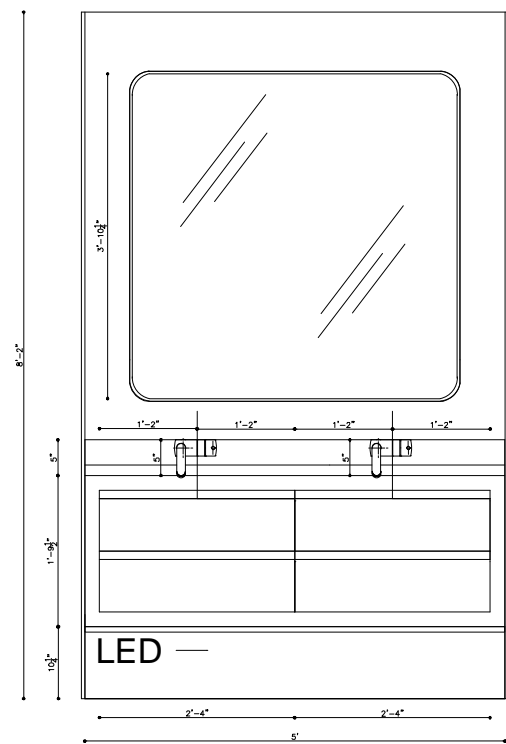
PROJECT TITLE:  
442 BROCK AVE

TITLE:  
MASTER CLOSETS

All dimensions are subject to verification and adjustment on jobsite to fit job condition.

PRODUCED BY:  
N.M

SIGN&DATE:



**PROJECT TITLE:**  
442 BROCK AVE

**TITLE:**  
MASTER DETAILS

All dimensions are subject to verification and adjustment on jobsite to fit job condition.

**PRODUCED BY:**  
N.M

**SIGN&DATE:**